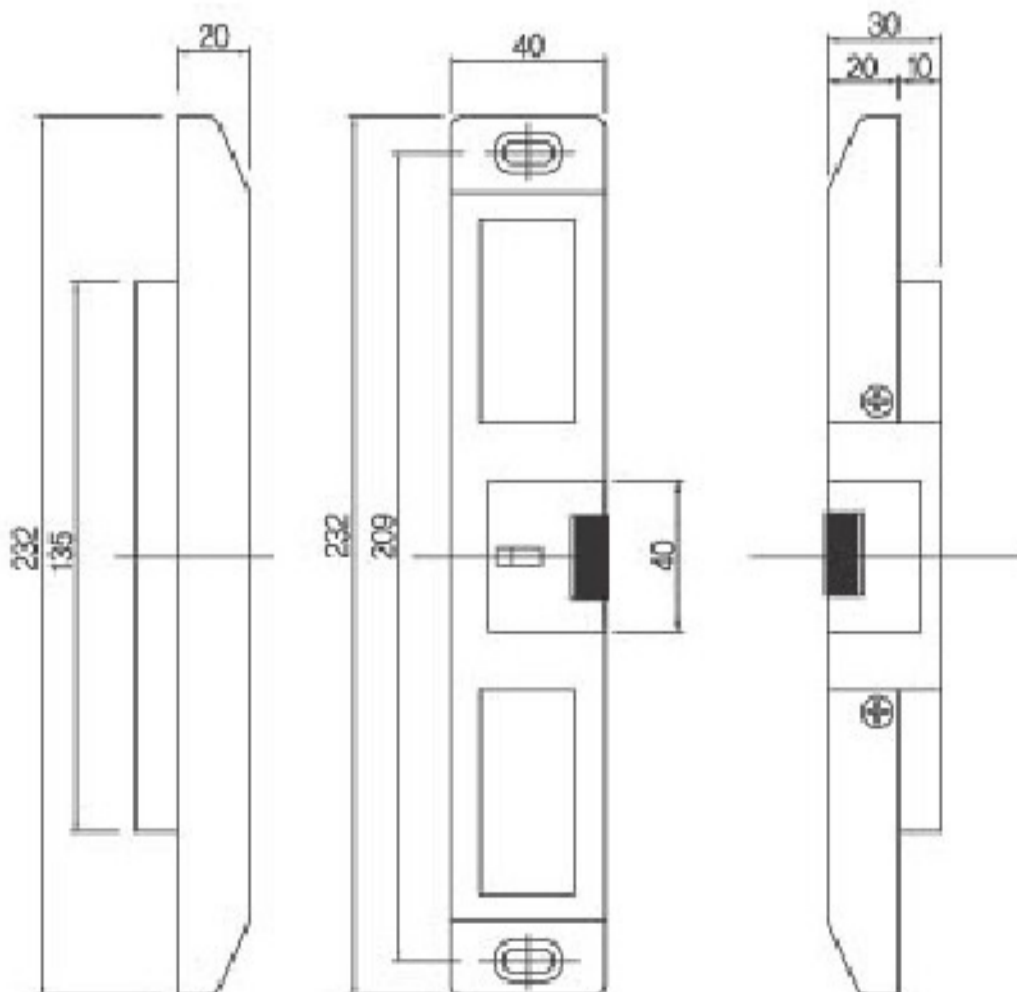
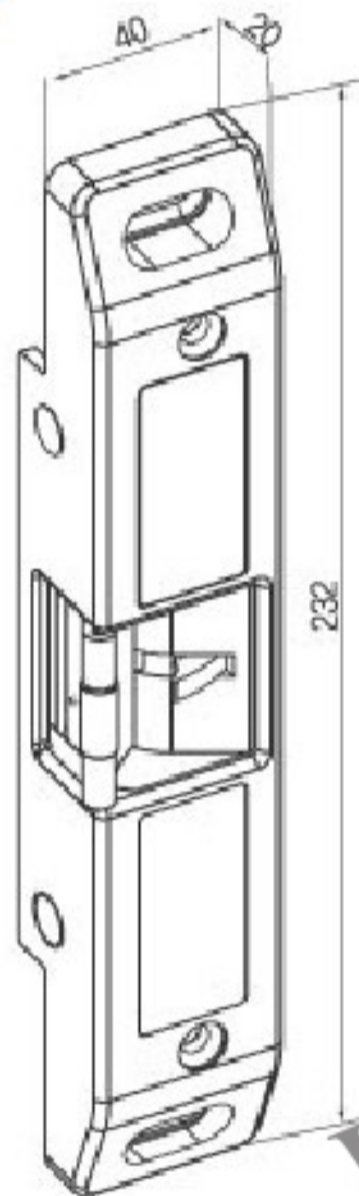


Electric Strike ES 1100



Dimensions



Statement

ES1100 are electric lock designed for ANSI standard fire door and surface mount. This electric strike lock can easily be configured to either fail-safe and fail-secure modes.

Features

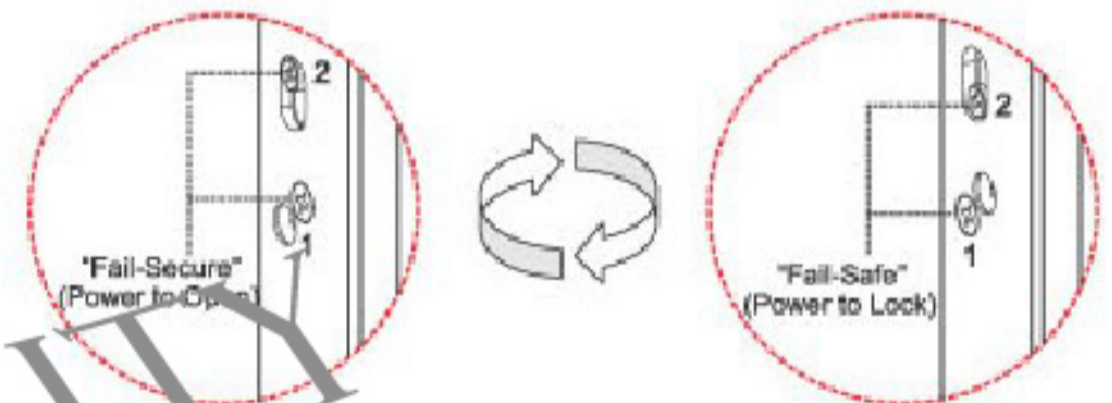
- Version Changeable (Fail-Secure / Fail-Safe)
- Long life solenoid
- Max. latch throw : 17mm
- Lock & unlock / Door status output
- 12~28VDC/AC Operating Voltage
- For ANSI standard fire door
- Remark : **CE** Approved

Specifications

- Operating Voltage : 12~28VDC/VAC
- Current Draw : 230mA/12VDC, 140mA/28VDC
440mA/12VDC, 230mA/28VDC
(at temperature 20°C)
- Reed Switch Rating : 1A/125VAC
- Operating Temperature : -10 ~ 45°C
- Humidity : 0~95% non-condensing
- Up to 1,000,000 cycles test (solenoid)
- 1000 kg jaw strength pull testing
- Material : metal surface

Version Changeable on Site

The ES1100 Series Electric Strikes can easily be changed to Fail-Safe and Fail-Secure Mode.



Surface Mount Installation

